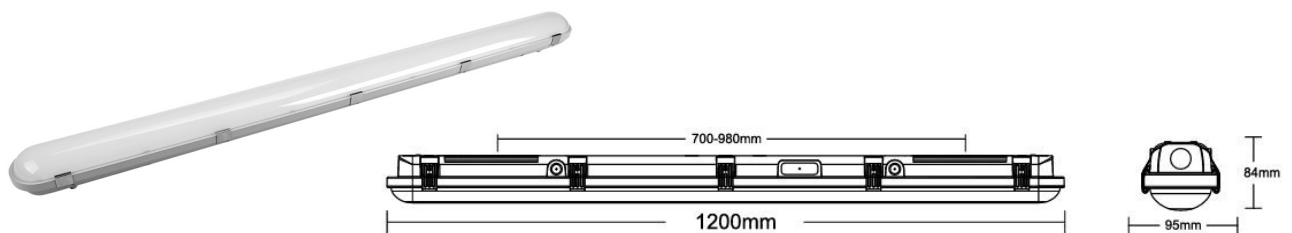


## 10/15/20W SELECTABLE SENSOR EMERGENCY LED WEATHER-PROOF BATTEN

### Product Features

- High quality, robust polycarbonate diffuser
- Commercial grade quality and design
- Selectable power 10W, 15W and 20W with a DIP switch
- Integral constant current non-dimmable and flicker free LED driver
- Surface mounted and suspension mounted



### Technical Specification

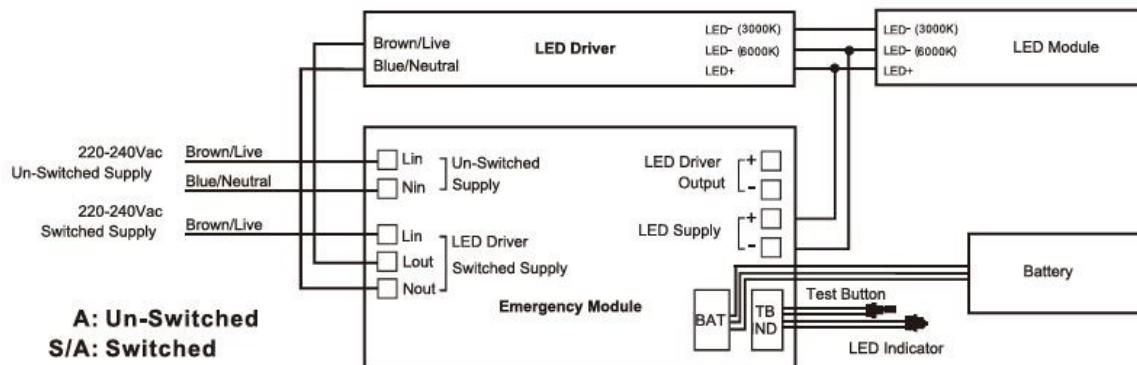
Model	SE-SP42-TC-EMS
Watts	20W-30W-40W Selectable
Input Voltage	AC 200-240V 50/60Hz
Colour Temp.	TRI Color: 3000K / 4000K / 6000K
Lumens Output	5000lm @40W
CRI	Ra>80
Beam Angle	120°
Size	600* 95*84mm
IP Grade	IP 65
Sensor	Microwave motion Sensor by Dip Switch or Remote controller
Dimmable	No Dimming, Flicker Free
Battery	LiFePO4
Emergency	3hrs back up
Emergency Classification	C0-D63 C90-D40



# Maintained Emergency

Before installation, please read the instructions completely and carefully.

## Wiring Diagram



## Testing

When luminaire is permanently connected to mains supply, allow the luminaire to fully charge for 16 hours. Conduct following tests once the battery has fully charged:

### Test 1:

A commissioning discharge test must be carried out once the luminaire is connected to mains supply.

The emergency luminaire must remain illuminated for at least 3 hours after disconnection from the mains power.

NOTE: The luminaire works on standard power when connected to mains supply and switches to 3.5W power during emergency mode operation.

### Test 2:

Subsequent tests, performed every 6 months, require the luminaire to successfully operate in emergency mode for 90mins.

NOTE 1: A record shall be maintained of all the discharge tests performed on site at all times.

NOTE 2: Battery should be charged every three months to ensure performance.

## Test Switch and LED Indicator:

The Test Switch and LED indicator on the luminaire provide an indication of the status of the luminaire during testing and normal operation

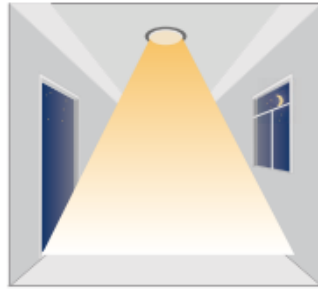
Test Switch&LED indicator	ON	OFF
<p>LED Indicator    Test Switch</p>	<ul style="list-style-type: none"> <li>• Depress the test switch-luminaire will operate in Emergency mode</li> <li>• LED indicator will be off during Emergency mode</li> </ul>	<ul style="list-style-type: none"> <li>• On releasing the Test switch the luminaire will automatically connect to mains supply</li> <li>• LED indicator will illuminate</li> </ul>
<p>LED Indicator    Test Switch</p>	<ul style="list-style-type: none"> <li>• Luminaire is working on mains supply</li> </ul>	<ul style="list-style-type: none"> <li>• Luminaire is working in Emergency mode</li> <li>• Luminaire has malfunctioned</li> </ul>

# SENSOR SETTINGS

## 1. Automatically ON/OFF function



With sufficient daylight, even when motion detected, light remains OFF.



With insufficient daylight, the sensor turns light ON when motion gets detected.



The sensor turns OFF light automatically after the holdtime when there's no motion detected.

## 2. Daylight Disable

When daylight threshold is preset as "disable", the sensor turns light ON when motion gets detected, and OFF after hold-time.



The sensor turns light ON when motion gets detected.



The sensor keeps light ON for holdtime period after



The sensor turns OFF light automatically after the

## 3. Corridor Function, Bi-level Dimmable



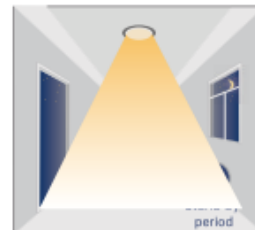
With sufficient daylight, the sensor keeps light OFF even motion gets detected.



With insufficient daylight, the sensor turns light ON when motion gets detected.



After there's no motion detected, the sensor keeps light ON 100% for holdtime.

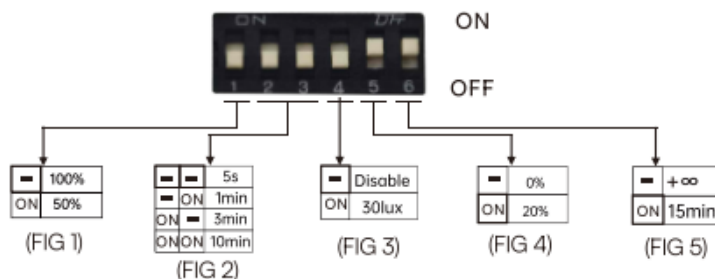


After holdtime, sensor dims light to standby dimming level for standby period.



The sensor turns OFF light automatically after the standby period when there's no motion detected.

## DIP Switch Setting



**Detection Area** - It can be adjusted by combining DIP switches for specific application [FIG 1].

**Hold Time** - Time period during which the light will be ON after the last detection [FIG 2].

**Daylight Threshold** - Daylight sensor priors motion sensor. Set Threshold for Specific needs. If disabled, only motion sensor will work [FIG 3].

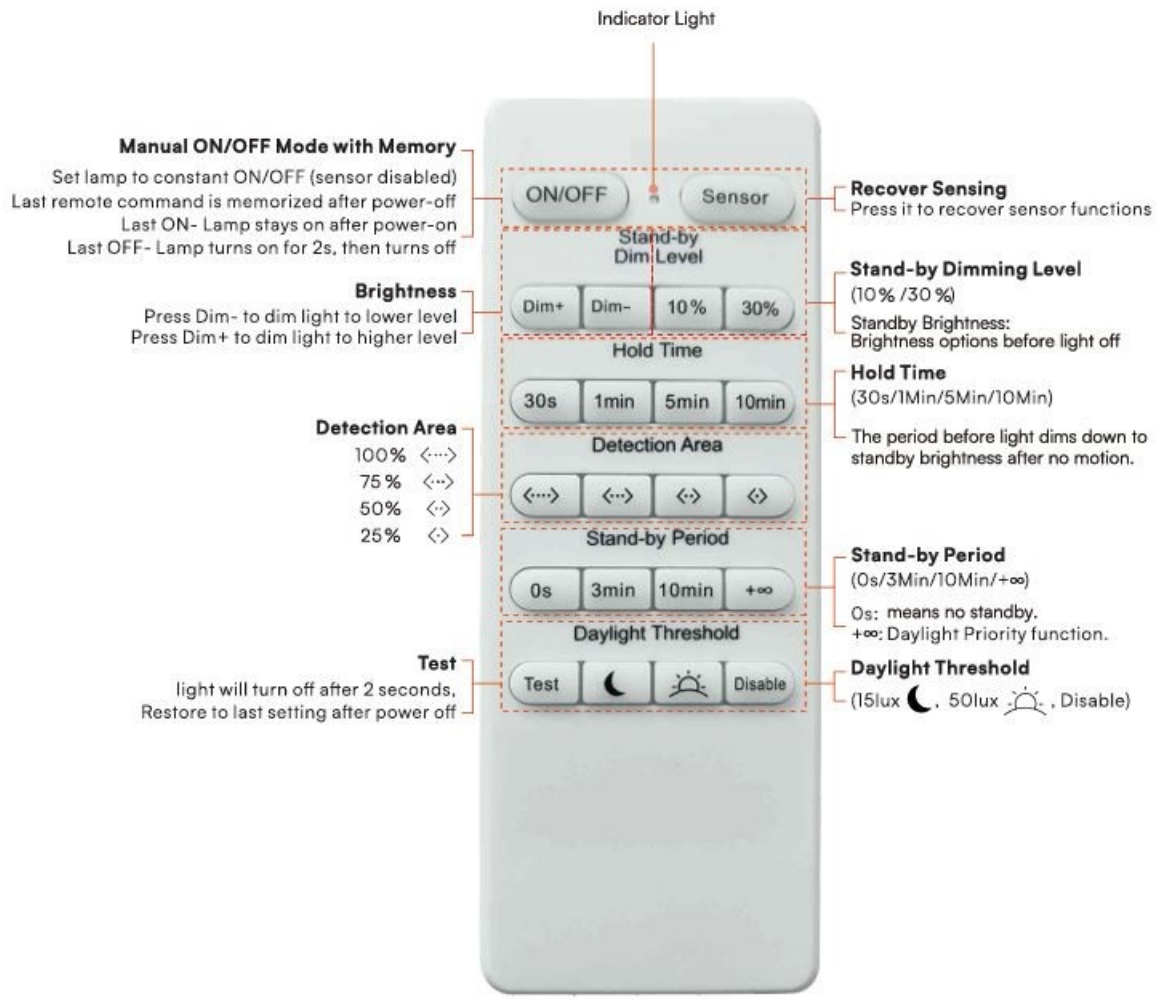
**Stand-by dimming level** - The dimming level during which the light is ON during the stand-by Period [FIG 4].

**Stand-by Period** - This is the time period during which the light keeps dimming down after the last detection [FIG 5].

### Default Setting:

Detection Area 100%, Hold Time 5s, Daylight Threshold Disable, Stand-by dimming level 20%, Standby Period 15min

# REMOTE CONTROL (PURCHASE SEPERATELY)



**Remark:**  
 Indicator light on the remote will blink once every time  
 it successfully delivers command.