

PRODUCT FEATURES

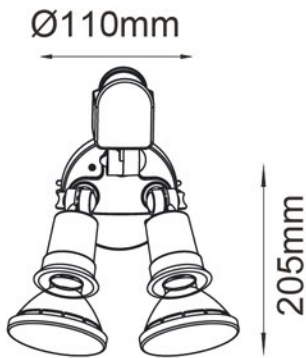
- 1600 LUMENS COOL WHITE BEAM
- ADJUSTABLE TIME & LUX MANUAL
- OVER-RIDE WEATHERPROOF
- Easy installation, three years warranty

PACKAGING(ES-B06B)

- Packaging L180*W135*H175mm
- Carton 20pcs/CTN
- Carton Size L69.5*W38*H37cm



DIMENSIONS



Ambient Light	<10-2000LUX (adjustable)
Time-delay	min: 10sec±3sec max: 7min±2min
Detection Distance	2-12m (<24 C)(adjustable)
Rated Load	2x10W PAR30 LED(included) (Max. 2x150W PAR38 Lamps)
Installation Height	1.8m-2.5m
Working Humidity	<93%RH
Detection Motion Speed	0.6-1.5m/s

Model No.	Input	Power	Lumen	CCT	Beam Angle	CRI	Fitting Colour	Working Temperature	Detection Range	N.W	G.W
ES-B06B	220-240V	20W	1600lm	5000K	120°	>80	Black	-20~+40℃	180°	12.8Kg	14Kg

PHOTOMETRIC DATA

5000K

