

## 30W/40W/50W SENSOR LED FLOOD

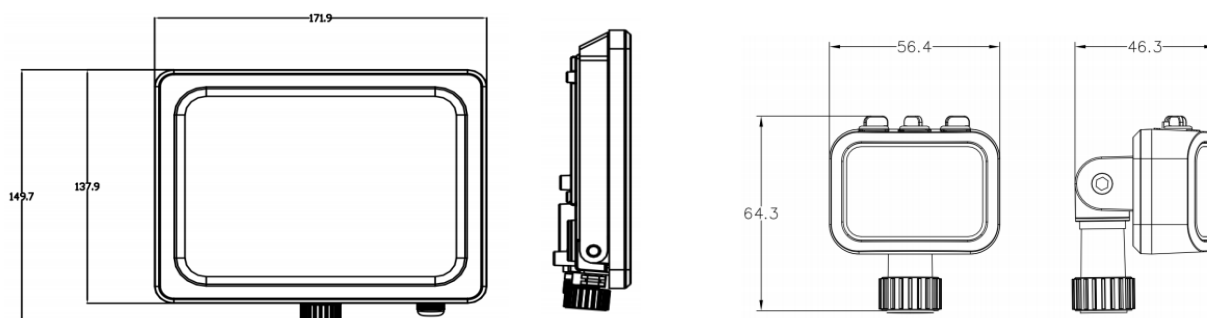
### Product Features

- 50W-40W-30W Power switchable
- Die-cast Aluminium body, frosted lens
- Tri-colour, 3000k/4000k/6500k tunable
- High lumen efficacy with 110lm/W
- IP65 Weatherproof
- Robust body with IK06 rated
- 1.2M AU Cable&Plug fitted
- Compatible with Plug-in PIR SENSOR



### Technical Specification

Model	SE-LG156C-30W /40W/50W
Watts	30W/40W/50W
Input Voltage	AC 240V
Power Factor	>0.95
Beam Angle	120°
Colour Temp.	3000K & 4000K & 6500K
CRI	Ra>80
Lumens Output	3300lm/4400lm/5500lm
Size (mm)	171.9*35.8*149.5
IP Grade	IP65
Housing Colour	Black



# PLUG-IN PIR SENSOR-LG156C

## Product Features

- SVDC-12VDC
- IP65 Weatherproof
- Robust body with IK06 rated



## Technical Specification

Model	SE-PIR SENSOR-LG156C
IP Rating	IP65
IK Rating	IK06
Length (mm)	56.4
Width (mm)	46.3
Material	PC
Finish Color	Black
Marketing Feature 1	Detection range: 4m to 10m
Marketing Feature 2	Detection angle: 120 degree
Marketing Feature 3	Time delay: 7 seconds—8 minutes
Marketing Feature 4	Operating temperature: -20 - +42

