

Product Features

Selectable constant current and constant voltage output. (Custom on request)

Full-isolated, delivering up to 40W of power.

Short circuit, over current and over voltage protection.

Fireproof environmental protection PC plastic cover

In line with the world lighting safety standards

5 years quality warranty



Electrical specifications



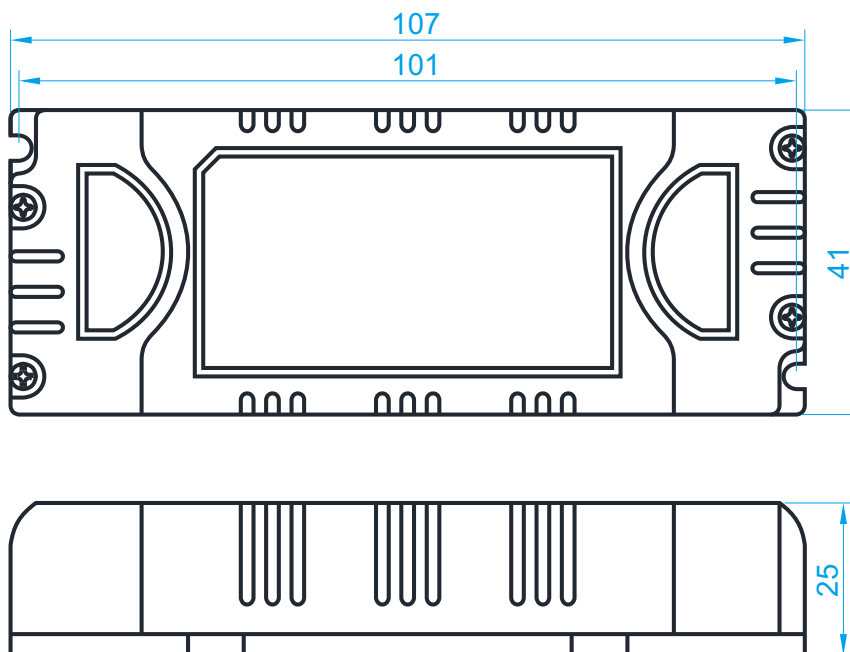
| | | | | | | | |
|---------|--------------------------|---|--------|--------|--------|------------------|--------|
| Input | Voltage range | 90-130&180-240V/AC | | | | | |
| | Frequency range | 50-60Hz | | | | | |
| | Power factor | >0.95 | | | | | |
| | Full load efficiency | ≥85% | | | | | |
| | AC current | 0.42A/0.21A | | | | | |
| Output | Rated current | Constant Current | | | | Constant Voltage | |
| | Rated current | 700mA | 900mA | 1200mA | 1500mA | 3000mA | 1700mA |
| | Current accuracy | ± 5% | ± 5% | ± 5% | ± 5% | ± 10% | ± 10% |
| | Output voltage range | 40-57V | 31-44V | 23-33V | 19-27V | 12V | 24V |
| | Rated power | 40W | | | | | |
| protect | Short circuit protection | Intermittent restart mode, after the exception can be automatically restored | | | | | |
| | Overcurrent protection | Hiccup mode, after the removal of abnormal low can be automatically restored | | | | | |
| | Overvoltage protection | Hiccup mode, after the exception of abnormal pressure can be automatically restored | | | | | |

Triac Dimmable

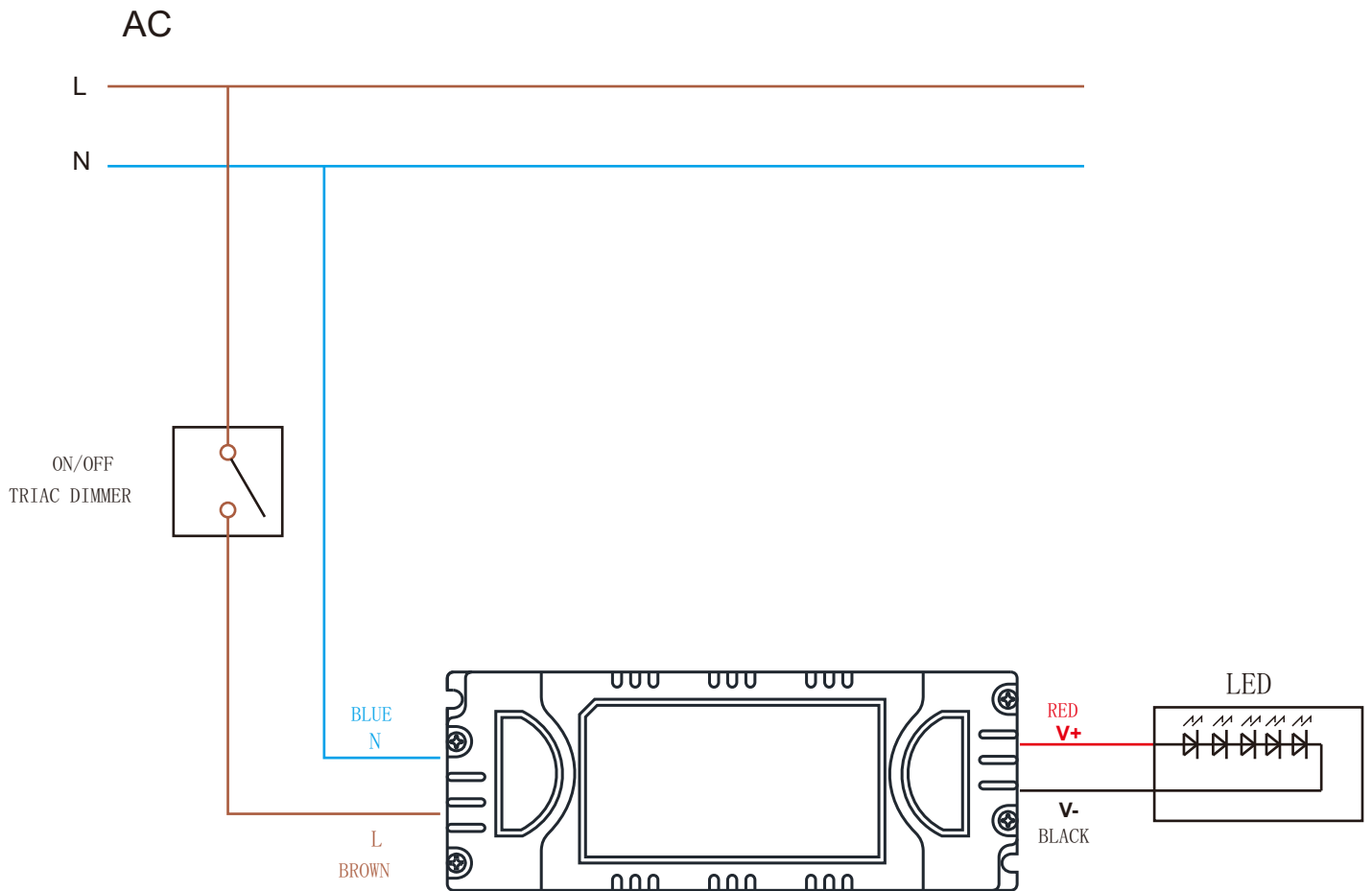
| | | |
|-------------|--------------------------------|--|
| Environment | Operating Temperature/humidity | -30- 45℃, 5- 95%RH |
| | Storage Temperature/humidity | -40- 70℃, 5- 95%RH |
| | Temperature coefficient | ± 0.03%/℃ (0- 50℃) |
| | Vibration | 5- 55Hz/2g, 30 Minutes |
| Safety | Safety | EN60598 |
| | Pressure | I/P- O/P:3KVAC IP- FG:1.88KVAC O/P-FG:0.5KVAC |
| | Insulation resistance | I/P- O/P I/P- FG O/P- FG:100M Ω/500VDC/25℃/70%RH |
| | EMC Emission | EN55022, EN55015 Class B |
| Other | EMC Immunity | EN61547, ENV5024, EN61000-4-2/3/4/6/8/11 |
| | Net weight | 160g |
| | Size | 107*41*25mm |

Shell structure

Units:mm



Triac dimmer wiring diagram



Packing

