

10W LED ROUND GIMBLE LIGHT

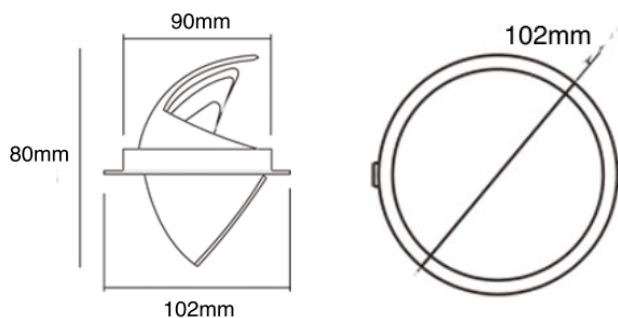
Product Features

- CCT Changeable
- Gimbal adjustable fitting
- Incl. power cord and plug
- Casting with magnesium alloy
- IC-4 Rated



Technical Specification

| | |
|----------------|----------------------------------|
| Model | SE-DL05-10W-TC |
| Watts | 10W |
| Input Voltage | AC 240V |
| Power Factor | >0.90 |
| Beam Angle | 60°(-15° ~+45°) rotating 340° |
| Colour Temp. | 3000K / 4000K / 5500K via Switch |
| CRI | Ra>80 |
| Lumens Output | 700-750lm |
| Size | ∅102 * H180mm |
| Cutout Size | ∅90mm |
| Housing Colour | White / Black |
| IP Rating | IP 20 |



Use the pre-set switch to set color temperature before installation.

