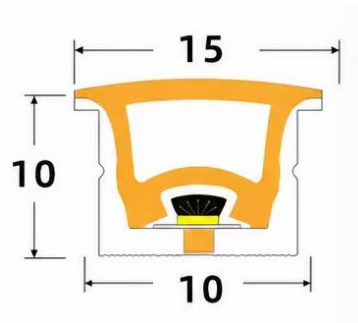


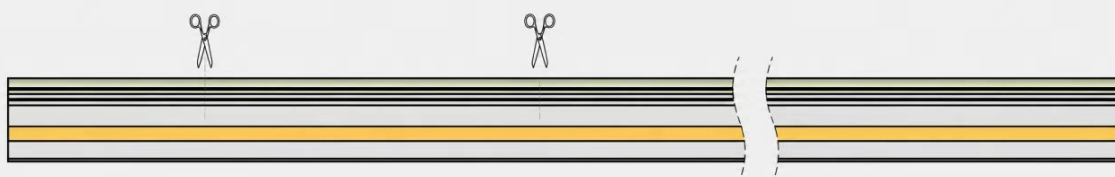
8W LED Recessed Neon Flexible Light



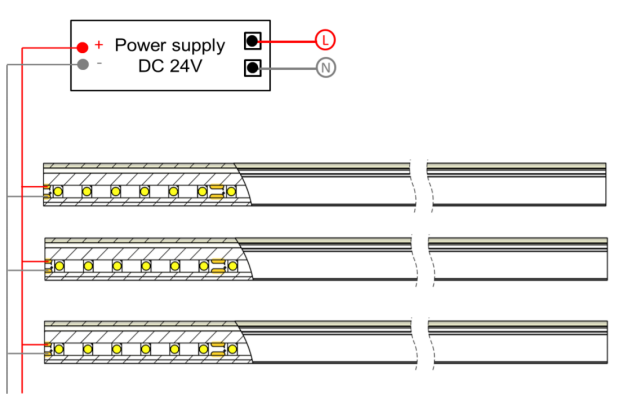
Technical Specification

Model	SE-24V-8W-1010-NEON-R
Watts	8W
Input Voltage	DC24V
LED Chip	130 LED Chips (Infinite Cutting Point)
Color Temp.	3000K/4000K
Lumens Output	90lm/W
CRI	Ra>80
Beam Angle	120-180°
Mounting	Recessed
Flex Direction	Vertical Bend
Size	15* 10mm
IP Grade	IP 68
Operating Temp.	-25° - +50°
Max Length	8M Per Driver (one end tail)

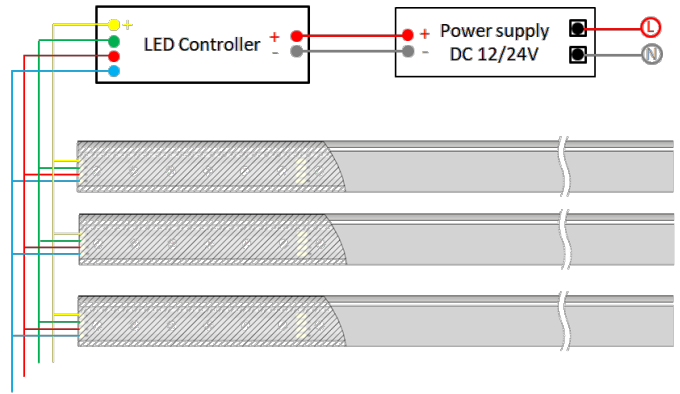
Infinite Cutting Point



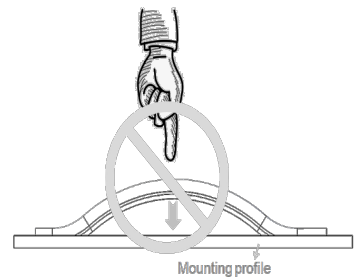
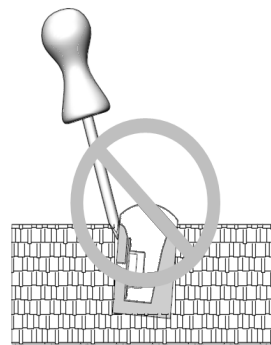
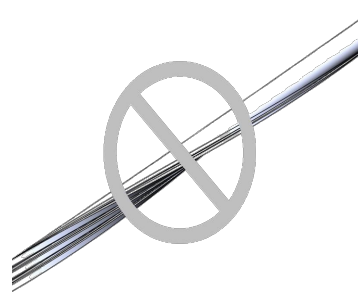
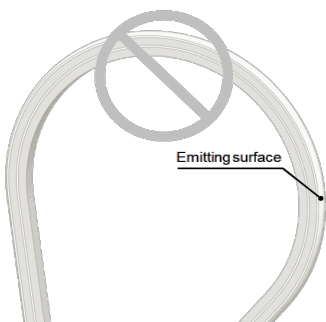
8W LED Recessed Neon Flexible Light



Accessories



Solderless wiring (20mm & 180mm)



* The information in this datasheet may be changed by Everglow Lighting at any time without prior notice.