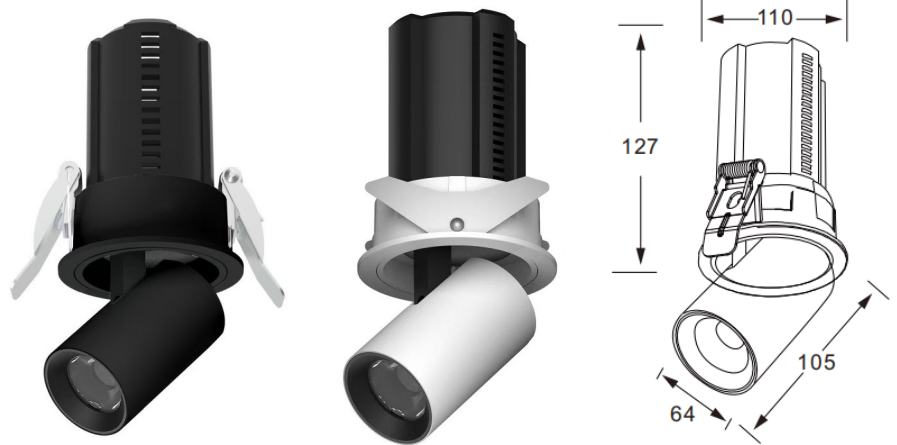


12W RECESSED ADJUSTABLE TELESCOPIC LIGHT

Product Features

- Commercial grade quality and design
- Made with LM-80 certified COB Led chips
- Incl. remote driver and flex cord and plug
- Adjustable 90 degree
- CCT changeable



Technical Specification

Model	SE-DL-V325-12W-WH-TC
Watts	12W
Input Voltage	AC 240V 50/60Hz
LED Chip	SMD LED
Colour Temp.	3000K /4000K/5000K / 6000K
Lumens Output	960lm
CRI	Ra>90
Beam Angle	60°
Size	Ø110* H127mm
Cutout	Ø90mm
IP Grade	IP 20
Dimmable	Trialing Edge Dimmer
Housing Colour	White / Black

